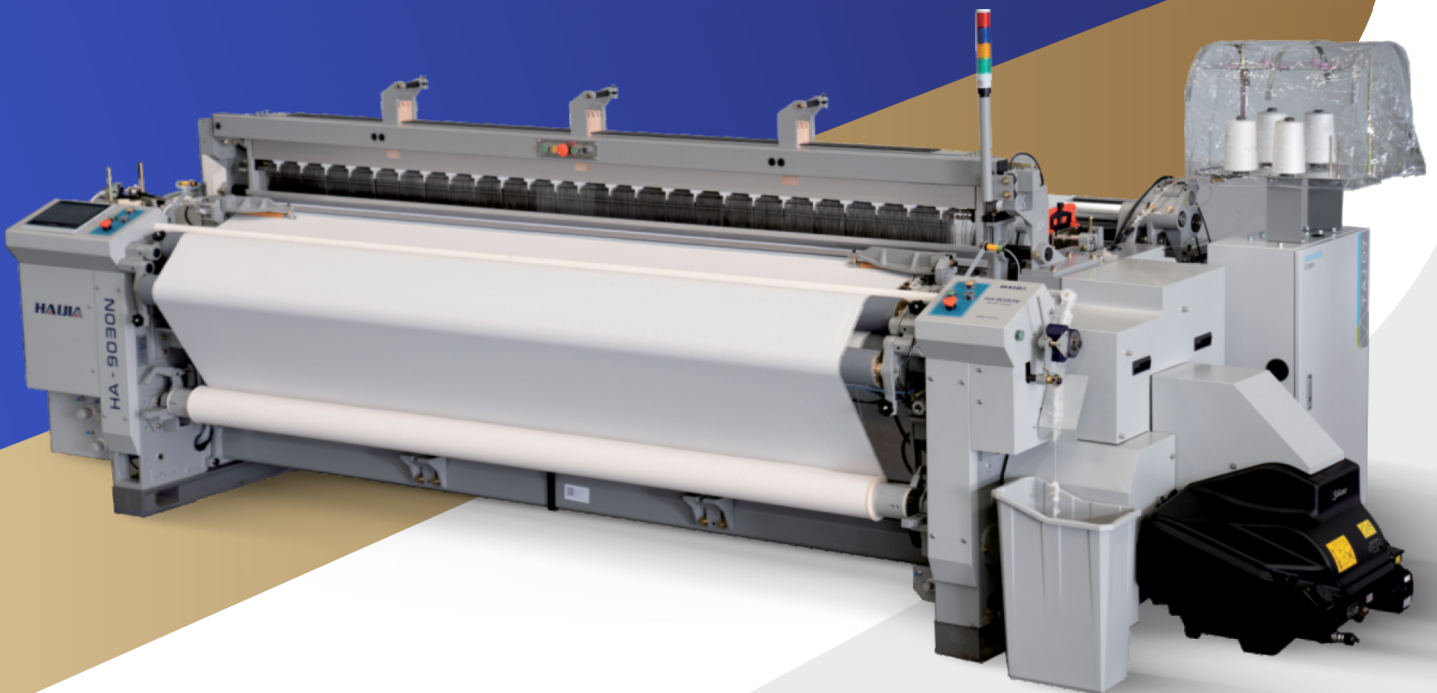


HA-9030N Series

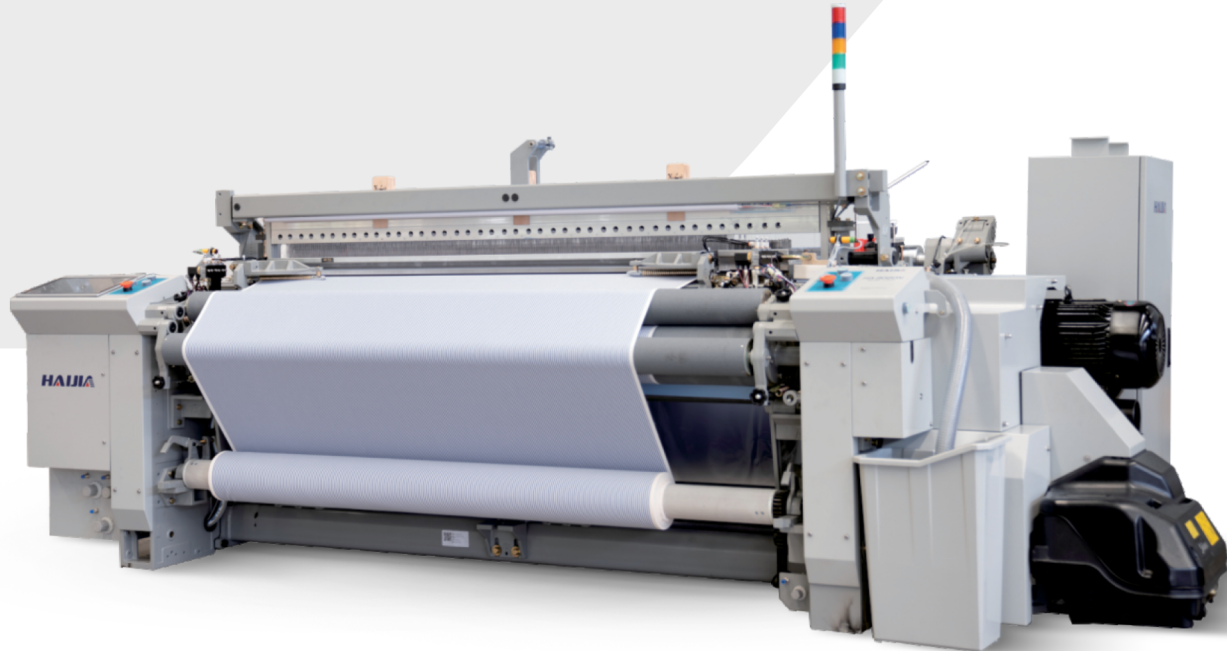
AIR JET LOOMS

Precision | Quality | Durability



HA-9030N Series Air-jet Looms

The essence of inheritance: continue to innovate and create a new generation of classics



Features



Best-in-class
Quality Control



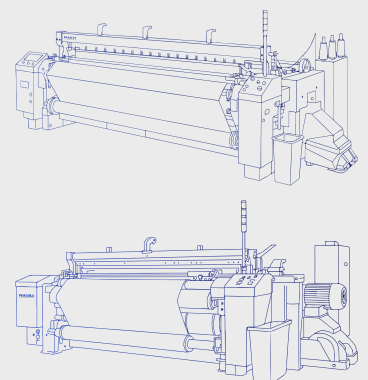
Fastest
Delivery



Best in
Technical Support



Fastest
Installation

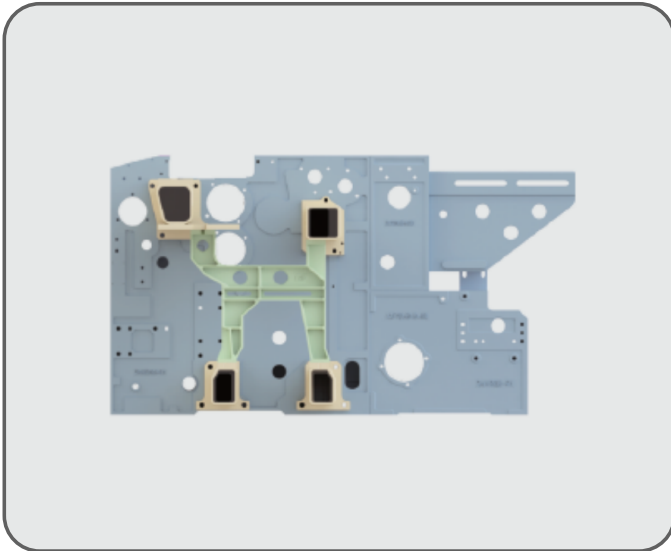


Features

Single Piece Wall Board

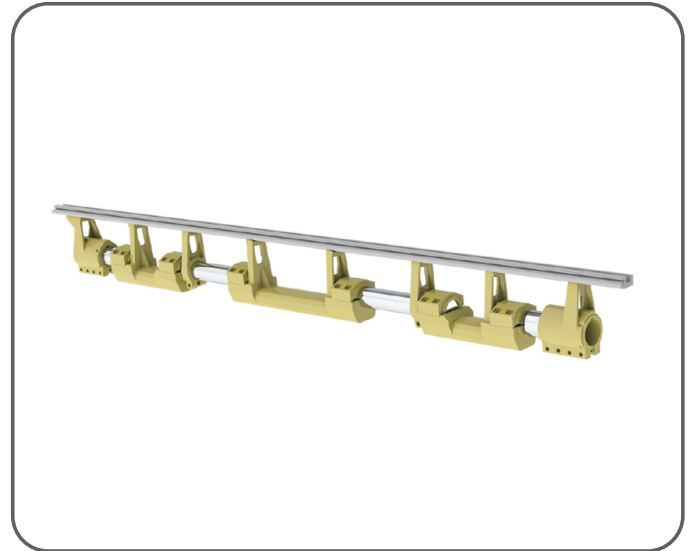
Weight 700KGS (2 Pcs)

Height 920mm



"U" Shaped

Precise Beating



SMC - Flow Meter



Auto Lubrication



Features

DLC Sub Nozzle (Diamond-Like Carbon Coating)



Lowest Air Consumption



Air Gripper System



Fabric checking light built-in



Specification

Item		Specification	Optional
Model		HA-9030N	
Reed Width	Nominal Reed Width (cm)	170, 190, 210, 230, 260, 280, 300, 340, 360, 380 CM	
Weaving Range	Spun	Count100-Count2.5	
	Filament	20D-1250D	
Weft Selection		2, 4, 6 Nozzle	
Power	Brake Control	Positioning and stopping by electromagnetic brake control	
	Motor	Super start motor drive 2.2KW (Crank Shedding), 3.0KW (CAM Shedding), 3.7KW (Dobby Shedding), 6.5KW (Jacquard Shedding)	Direct Drive Motor
Weft Insertion	Weft Insertion Rate	Maximum weft insertion rate: 2300m/min	
	Reed	Harmony HAIJIA Air Saving E-Reed	
Shedding		* Crank connecting rod : 4 pcs Heald frame or 6 pcs Heald frame	8 pcs Heald frame
		* Positive CAM : Up to 10 pcs Heald frame	
		* Electronic Dobby : Up to 16 pcs Heald frames	
		* Jacquard	
Let Off		Electronic let off	Double warp beam
	Diameter of the Beam Flange	Diameter of the beam flange : Φ 800mm	Φ 914mm Φ 1000mm
Take Up		Electronic take up	
		Standard density 25-300 picks/inch	
	Roll Cloth Diameter	Maximum roll cloth diameter: Φ 600mm (CAM, Dobby, Jacquard shedding) Φ 520mm (Crank shedding)	
Beating Up		"U" shaped beating up shaft	
		Four-link beating-up (Narrow width), Six-link beating-up (Wide width)	
		Rocker shaft middle support	
Length Measurement and Weft Storage		Electronic weft feeder	
Selvage		Planetary gear type Selvage device	Pneumatic folding edge device
Yarn End Treatment		Discarded take-up 2 pcs drum-type	
Weft Cutting		Mechanical weft cutting device	Electronic weft cutting device
Lubrication		Main transmission part oil bath type, manual centralized oil supply	Electric central oil supply
Stop Machine Device		Weft yarn : photoelectric weft feeler, double probe	
		Warp yarn : Electrical contact six-row dropper	
		Others : Selvage yarn, discarded edge yarn and automatic stop when the yarn is broken	
		Stop reason : show the information on the display, multi-function 4-color light stop display	
Automation		Inverter to adjust speed	
		Memory Card function	
		Automatic weft extraction device (optional)	
Air Saving		Main Nozzle	

MARKETED BY

GOLDEN JD  [®]
..... **GROUP**



+91 70235 12254



Mail us on
sales@goldenjd.com



Visit our website
www.goldenjd.com



302, 3rd Floor, Orbit Tower, Opp. APMC Building,
Sahara Darwaja Ring Rd, Surat, Gujarat-395002



Scan for Location